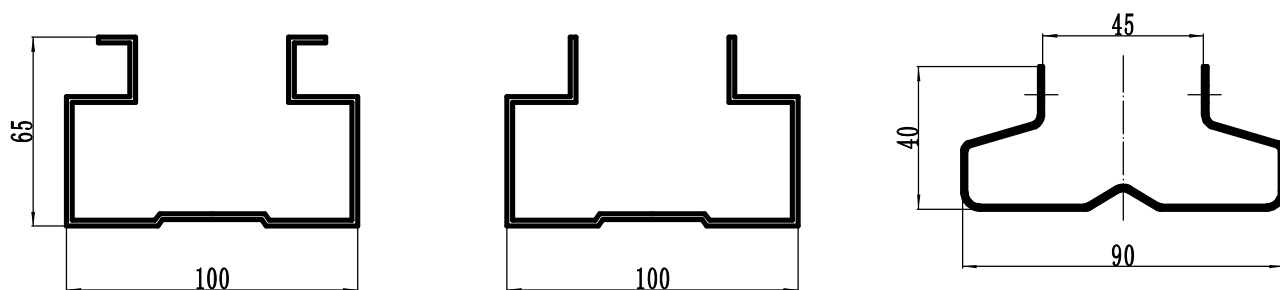
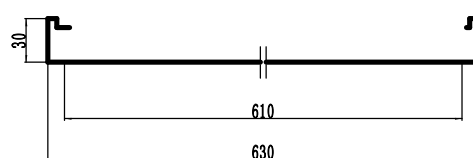
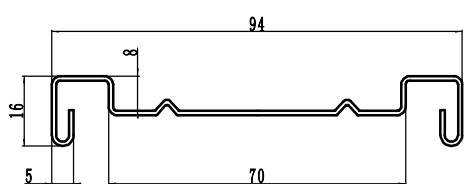
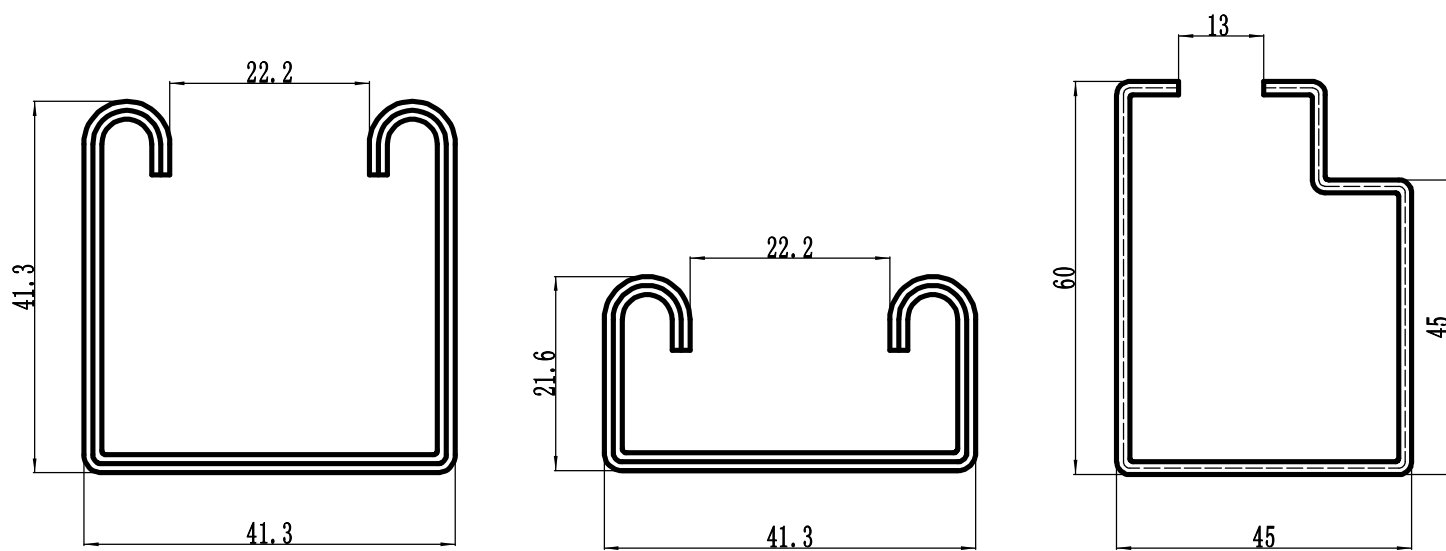


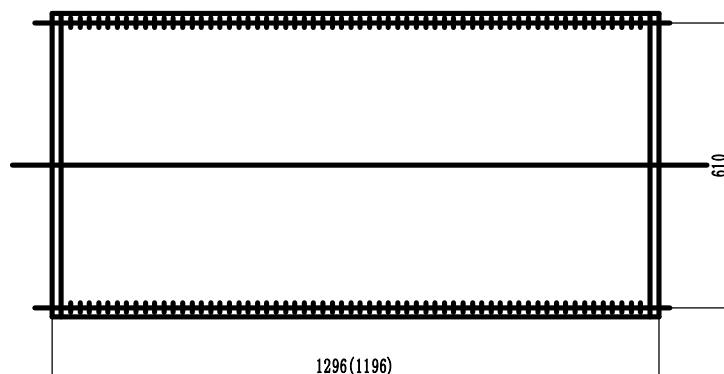
横梁板 Box Beam



立柱板 Upright

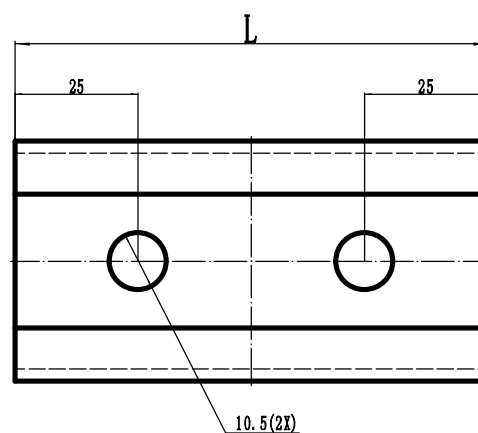
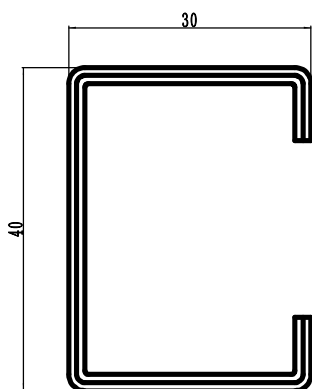
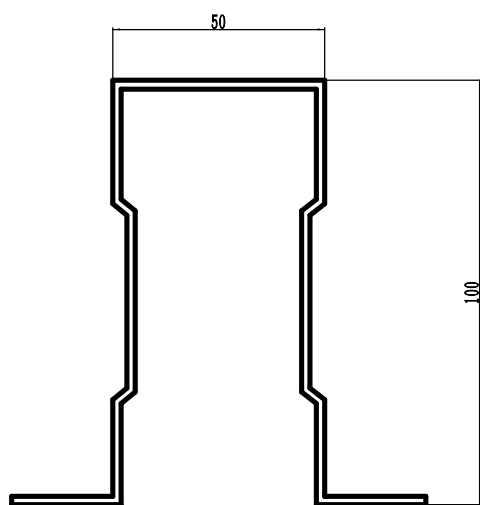


货架立柱外板 Cargo Outer-Frame Plate



货架骨架板 Cargo Frame Plate

货架托板 Shelving Panel



货架板 Cargo Bracket Plate